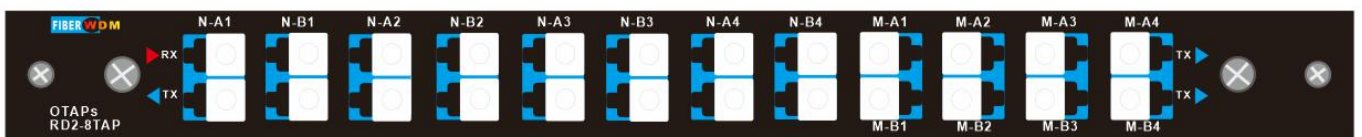


8 OTAPs Passive Network Optical Taps LC/UPC LGX Box Module

FIBERWDM provide reliable continuous visibility 100% of network traffic to support performance and security with no network performance degradation or disruption.

FIBERWDM Taps are flexible and scalable, can supports speeds up to 100G, and is 100 percent passive. FIBERWDM Taps are available in multimode and single mode fiber varieties with split ratios ranging from 50/50 up to 80/20. The FIBERWDM Tap is available with either LC/SC/FC or MTP (MPO) connectors. Up to 32 taps (for 16 lines traffic copy) can be deployed in a single 1U 19inch rack space.

Product Panel

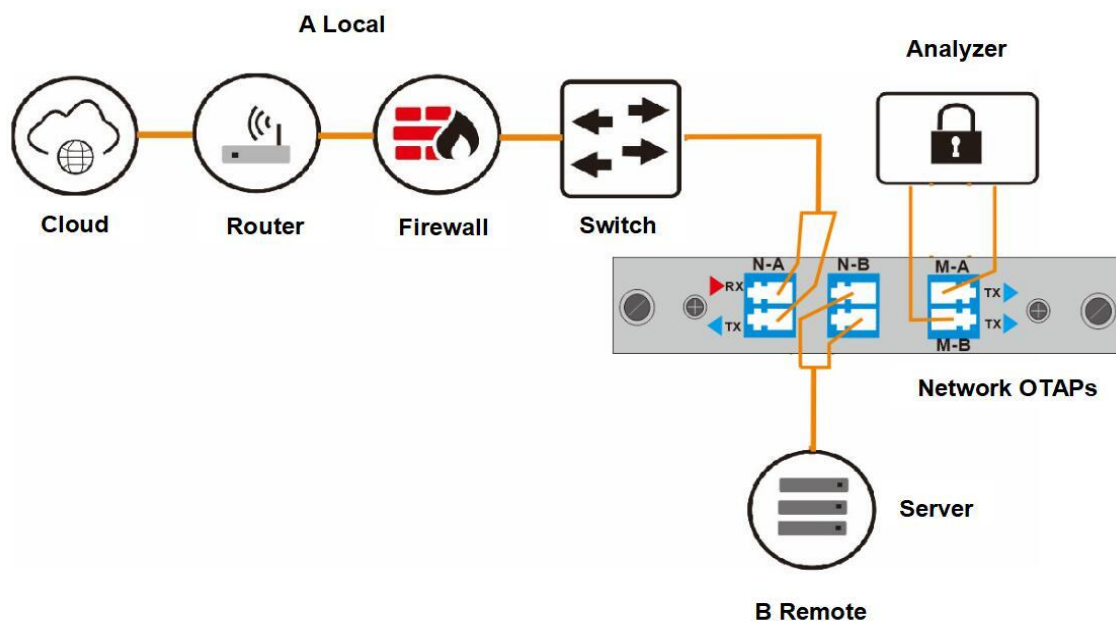


8 OTAPs Passive Network Optical Taps LGX Box Module
(for 4lines traffic copy)



4-Slot 1U Rack, can support Plug in 4pcs 8 OTAPs LGX Box Module, Up to 32 Taps(for 16 lines traffic copy)

Application



The Network optical taps are deployed at any inline connection on the network, therefore no additional overhead or management burden is added to the network devices to copy traffic for the monitoring/security infrastructure. The FIBERWDM Tap is compatible with all major manufacturers' monitoring devices, including protocol analyzers, probes, and intrusion detection systems, and is protocol agnostic.

Single-Mode Product Specification

Part No.	RD2-8TAP-LGX0 1-A	RD2-8TAP-LGX01 -B	RD2-8TAP-LGX01 -C	RD2-8TAP-LGX0 1-D
Split ratio	80/20	70/30	60/40	50/50
Taps	8 OTAPs 4 lines network traffic copy			
Operating Wavelength (nm)	1310/1550nm			
Network Insertion Loss(dB)	≤1.0	≤1.7	≤2.5	≤3.4
Monitor Insertion Loss (dB)	≤7.7	≤5.7	≤4.5	≤3.4
Loss Uniformity (dB)	≤0.8			
Return Loss (dB)	≥55			
PDL (dB)	≤0.15			
Directivity (dB)	≥55			
FIBER Type	SMF-28e or customer specified			
Connector	LC/UPC			
Dimension(mm)	LGX Box: 190*150*20mm 1U Rack : 440*160*44mm			
Operating Temperature (°C)	-40 ~ +85			

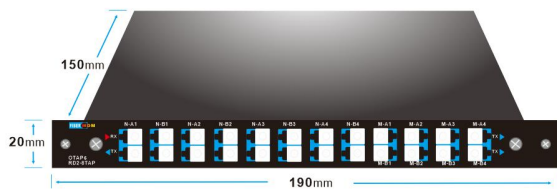
Multi-Mode Product Specification

Part No.	RD2-8TAP-LGX0 1-A-M3	RD2-8TAP-LGX01 -B-M3	RD2-8TAP-LGX01 -C-M3	RD2-8TAP-LGX0 1-D-M3
Split ratio	80/20	70/30	60/40	50/50
Taps	8 OTAPs, 4 lines network traffic copy			
Operating Wavelength (nm)	850nm			
Network Insertion Loss(dB)	≤1.6	≤2.2	≤2.8	≤3.8
Monitor Insertion Loss (dB)	≤7.9	≤6.1	≤4.8	≤3.8
Loss Uniformity (dB)	≤0.8			
Return Loss (dB)	≥55			
PDL (dB)	≤0.15			

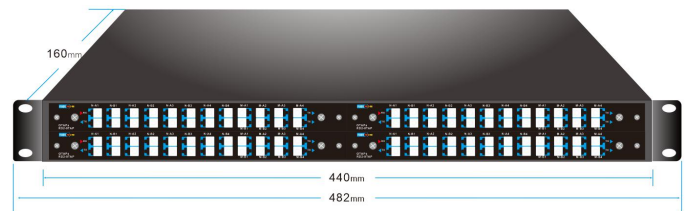
Directivity (dB)	≥55
FIBER Type	OM3 or customer specified
Connector	LC/UPC
Dimension(mm)	LGX Box: 190*150*20mm 1U Rack : 440*160*44mm
Operating Temperature (°C)	-40 ~ +85

Notes: Room temperature test .

Package Information



8 OTaps LGX Module



4-Slots for Plug-in LGX Module

Order information

Part No.	Specification
RD2-8TAPS-LGX01-X	8 OTAPs (4 lines network traffic copy), SM 1310/1550nm LC/UPC 1U Rack
RD2-8TAPS-LGX01-X-M3	8 OTAPs (4 lines network traffic copy), MM OM3 850nm LC/UPC 1U Rack
1U02-4LGX	19" inch 1U rack with 4 slot for Plug-in LGX box, 440*160*44mm