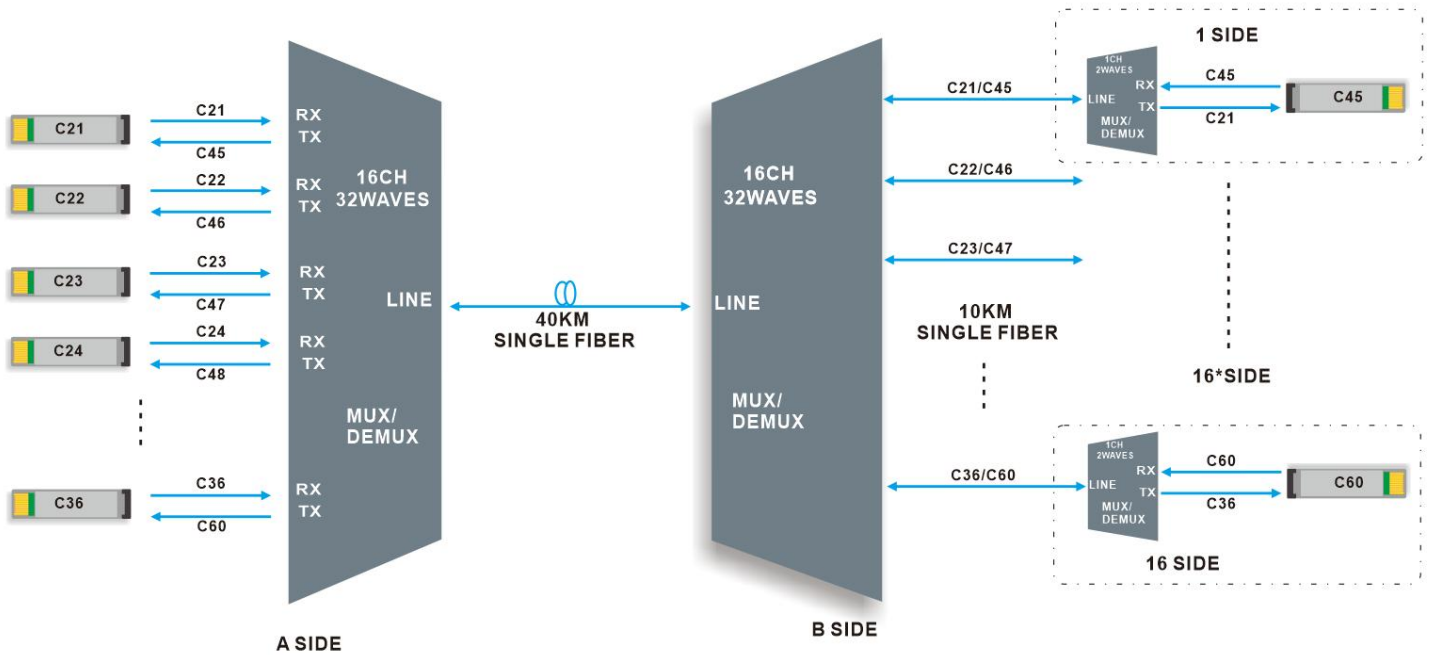


**Single Fiber Bi-direction 16CH DWDM MUX and 1X16 PLC Splitter, E2000/APC, 1U Rack**

The Single fiber Bi-direction 16channels DWDM MUX and is designed by FIBERWDM, the waves are: C21 to C36 and C45 to C60; And every port supports two waves, like as C21/C45, for one bi-direction business transmission on a single fiber.

**Application for 16CH DWDM Bi-direction**



**16CH DWDM MUX/ DEMUX Single fiber BIDI transmission**

16 Channels DWDM MUX/DEMUX, supports 16 channels difference business in one optical fiber bi-direction point-to-point transmission.

it is greatly used in which rare optical fiber resource, like in Broadcast and TV, IDC, finance, government, cloud, massive data and other industries.

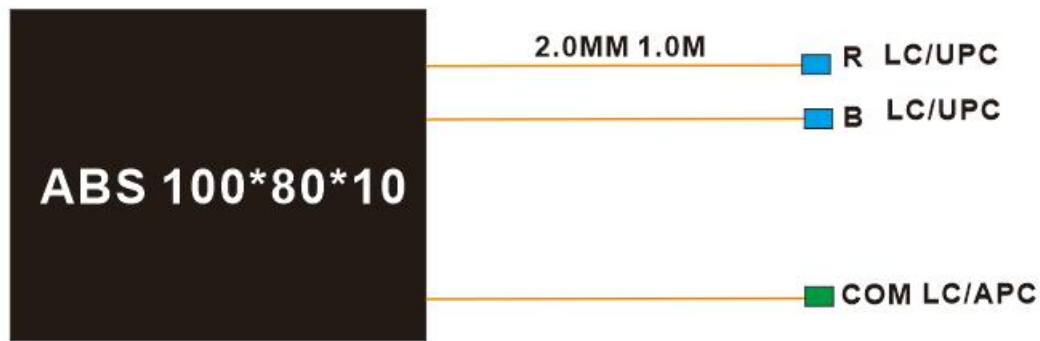
**Product Panel**



**16Channels DWDM MUX DEMUX Single fiber LC/UPC A Side**



**Single Fiber BiDi 16CH DWDM MUX and 1X16 PLC Splitter E2000/APC B Side**



1Channel DWDM Single fiber 2.0MM 1.0M ABS100\*80\*10mm Box: 1-16 Side

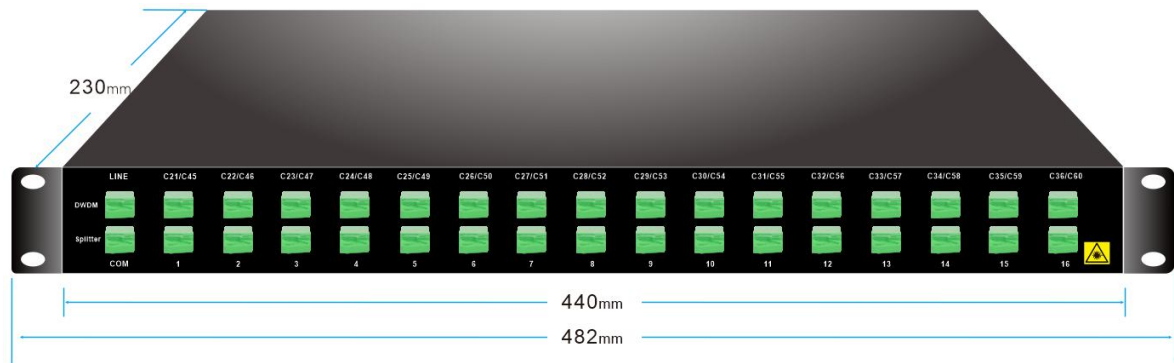
### Product Specification

16CH DWDM BIDI			
Wavelength	32 waves C21-C36/C45-C60	Channel Spacing	100GHz (0.8nm)
Channel Passband	±0.11nm	Technology	AAWG (Gaussian)
Insertion Loss	≤ 4.0dB	Passband Ripple	≤ 0.5dB
Center Wavelength Accuracy	±0.05nm	Return Loss	≥ 40dB
Directivity	≥ 40dB	Polarization Mode Dispersion	≤ 0.1ps
Polarization Dependent Loss	≤ 0.3dB	Channel Isolation	Adjacent ≥ 25dB Non-adjacent ≥ 30dB
PLC Splitter			
PLC Splitter	1X16	Insertion Loss	≤ 13.5dB
Return Loss (dB)	≥ 50dB	Polarization Dependent Loss(dB)	≤ 0.2dB
Directivity (dB)	≥ 55dB	Wavelength Dependent Loss(dB)	≤ 0.5dB
1U rack			
Connector	E2000/APC and LC/UPC	Temperature	Operating -5 to 65°C Storage -40 to 85°C
Net Weight	3.5KG	Dimensions (HxWxD)	44*440*230mm
1Channel DWDM (R/B Type)			
Operation waves	RED 1562.23~1546.92nm BLUE 1543.73~1528.77nm	Technology	TFF (Thin Film Filter)
IL@ Pass Band	≤0.6dB	IL@Reflect Band	≤0.8dB
Isolation @ Pass Band	≥30dB	Isolation @ Reflect Band	≥15dB
Directivity	≥50	Return Loss	≥50
Polarization dependent	≤0.1dB	Polarization mode	≤0.1ps

<b>loss</b>		<b>dispersion</b>	
<b>Directivity</b>	≥50dB	<b>Return loss</b>	≥45dB
<b>Optical power handling</b>	≥500	<b>Temperature</b>	Operating:-40 to +85℃ Storage:-40 to +85℃
<b>Fiber type</b>	2.0mm 1.0M SMF-28e Fiber	<b>Package dimension</b>	100*80*10mm

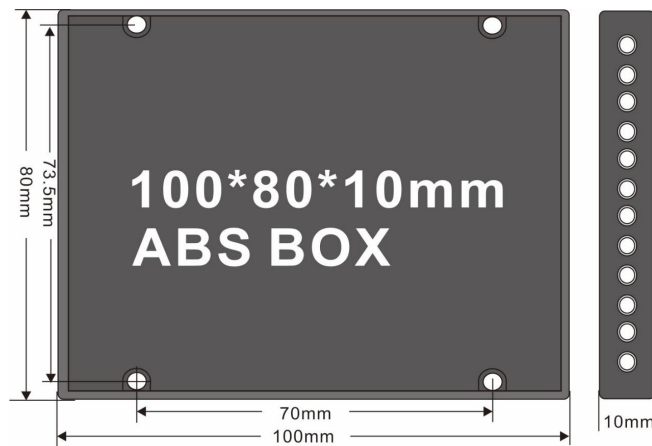
Note: Specified with connectors.

### Package Information



19" Inch 1U Rack

### ABS BOX 100\*80\*10mm



### Order Information

Product No.	Product description
DA32-1U01-C2160	DWDM MUX/ DEMUX 16CH 32 Waves (RX C21-C36/ TX C45-C60) Single fiber, LC/UPC , 1U Rack Side A
DBD32-1U04-C2160-1P16	DWDM MUX 16CH 32 Waves (21/45, C22/46, C23/C47, C24/C48, C25/C49, C26/C50, C27/C51, C28/C52, C29/C53, C30/C54, C31/C55, C32/C56, C33/C57, C34/C58, C35/C59, C36/C60) Single fiber, 1X16 PLC, LC/UPC , 1U Rack Side B
D-RB-B01-T4560	DWDM R/B Filter TX C45-C60 RX C21-C36, COM LC/APC , Others LC/UPC 2.0MM 1.0M ABS100*80*10 Box (1 to 16 Side)

Note: We Support Customized Design, please contact us by email.