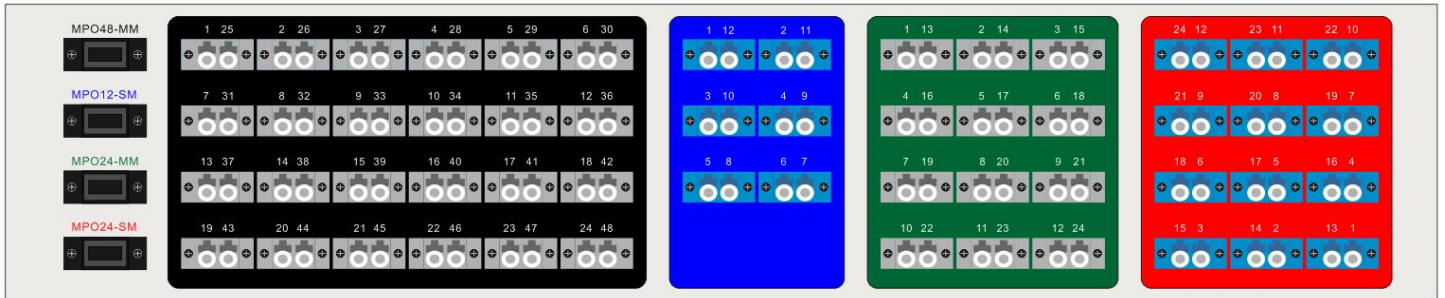


FIBERWDM Provide 4 Channels MPO to LC devices 2U Rack: one channels Multi-mode 48 cores MPO/UPC female to 48 LC/UPC connectors, and one Multi-mode 24 cores MPO/UPC female to 24 LC/UPC connectors, and one channels Single mode 24 cores MPO/UPC female to 24 LC/UPC connectors, and one channels Single mode 12 cores MPO/UPC female to 12 LC/APC in 2U Rack.

Product Panel

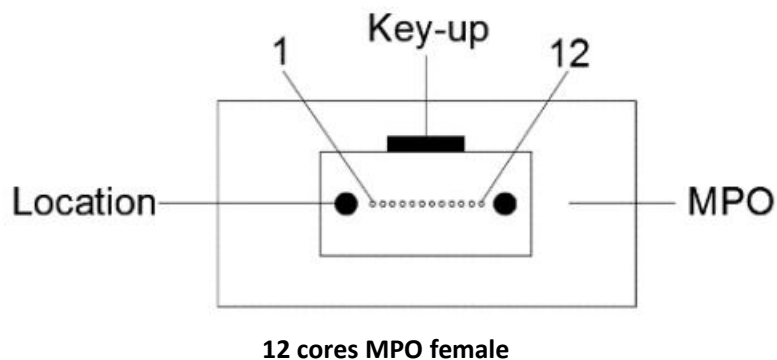


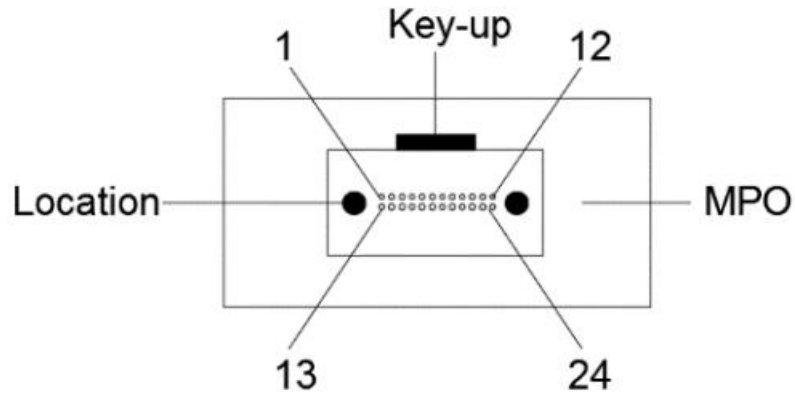
4 Channels MPO to LC devices 2U Rack

Product Specification

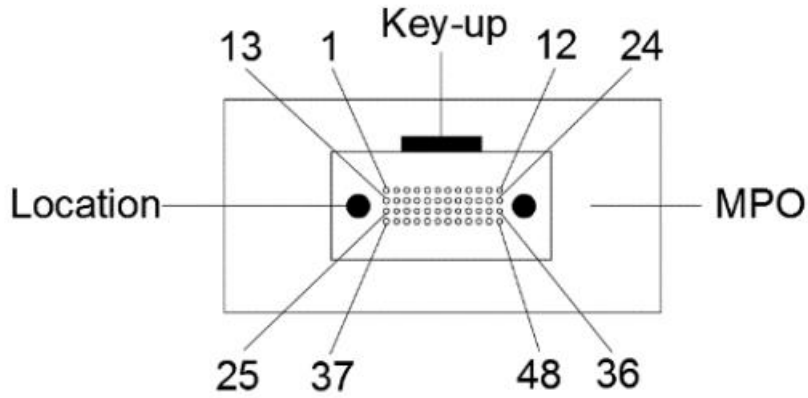
Parameter	SM		MM	
	MPO/APC	LC/UPC	MPO/UPC	LC/UPC
IL (Insertion Loss)	≤0.35dB	≤0.15dB	≤0.35dB	≤0.15dB
RL (Return Loss)	≥45 dB	≥50 dB	≥25 dB	≥35 dB
Fiber Type	SMF-28e		OM4	
Durability (dB)	≤0.2dB (500 Matings,per EIA-455-21A)			
Tensile Strength (dB)	≤0.3dB (Max 66N)			
Operation Temperature	-20 ~+70°C			
Storage Temperature	-40 ~+80°C			
Dimensions (HxWxD)	483 (L) x 44(H)x230(W)mm			

Internal connection diagram

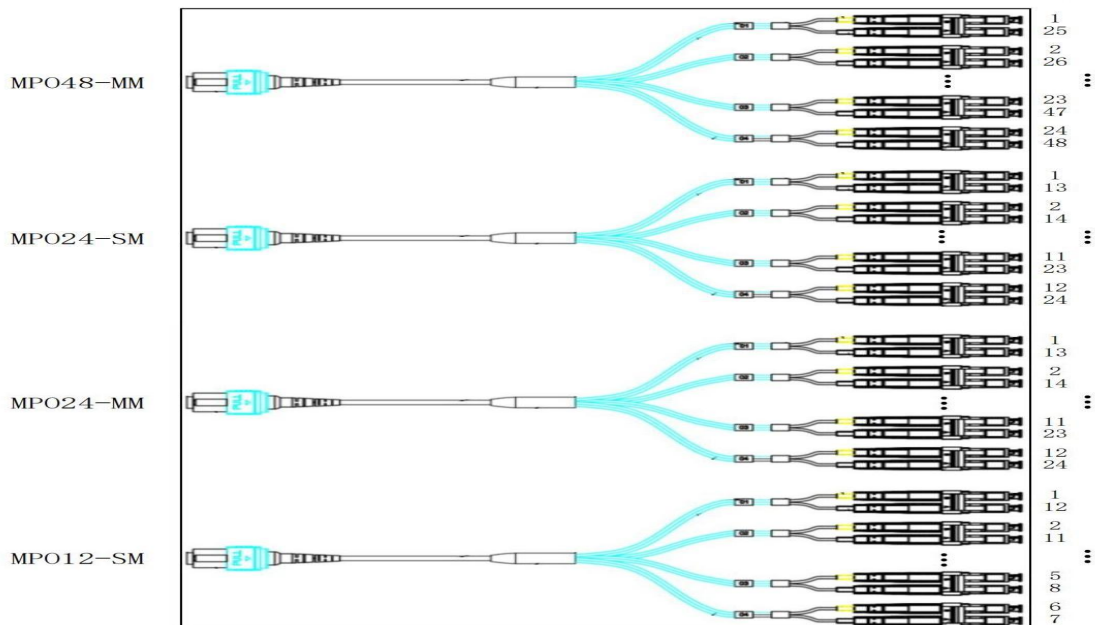




24 cores MPO female



48 cores MPO female



MPO TO LC/UPC connection diagram

MPO To Dual LC

MPO Connector	Dual LC Connector
MPO48-MM Female	1-25
	2-26
	3-27
	4-28
	5-29
	6-30
	7-31
	8-32
	9-33
	10-34
	11-35
	12-36
	13-37
	14-38
	15-39
	16-40
	17-41
	18-42
	19-43
	20-44
	21-45
	22-46
	23-47
	24-48
MPO24-MM Female	1-13
	2-14
	3-15
	4-16
	5-17
	6-18
	7-19
	8-20
	9-21
	10-22
	11-23
	12-24
MPO24-SM Female	1-13
	2-14
	3-15

	4-16
	5-17
	6-18
	7-19
	8-20
	9-21
	10-22
	11-23
	12-24
	MPO12-SM Female
	2-11
	3-10
	4-9
	5-8
	6-7